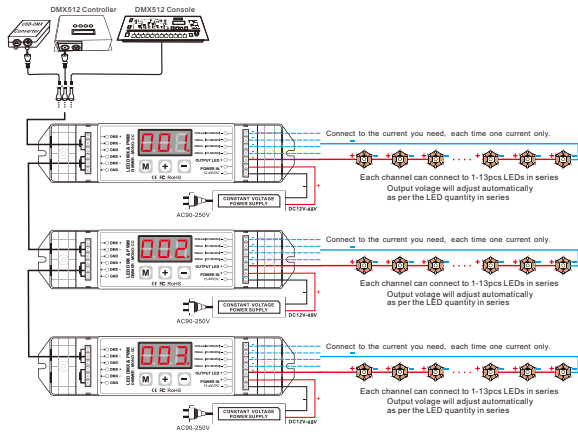


2) Wiring diagram of Slave Mode:



*DO NOT power on till you finished wiring. After power ON, the digital display on the decoder will flash, and shows the digital stands for each current : 1. is for 1050mA; 2. is for 700mA; 3. is for 500mA; 4. is for 350mA

7. Exception Handles

Malfunction	Reasons	Solutions
No light	1. no power supply	1. Check power supply
	2. Reversed polarity	2. Reverse it
	3. Signal terminal not connected or reversed	3. Signal terminal not connected or reversed
	4. Long circuit such as longer than 200m	4. Add signal terminator or amplifier
One or several color(s) alight but no change	5. Signal terminator wrongly connected or reversed	5. Check the wiring re-wire it properly
	6. Long circuit such as longer than 200m	6. Add signal terminator or amplifier
Abnormal shake during	7. Signal terminator not be properly connected	7. Connect it properly
	8. Long circuit such as longer than 200m	8. Add DMX signal transmitter or splitter

8. After Sales

From the day you purchase our products within 3 years, if being used properly in accordance with the instruction, and quality problems occur, we provide free repair or replacement services except the following cases:

- Any defects caused by wrong operations.
- Any damages caused by inappropriate power supply or abnormal voltage.
- Any damages caused by unauthorized removal, maintenance, modifying circuit, incorrect connections and replacing chips.
- Any damages due to transportation, breaking, flooded water after the purchase.
- Any damages caused by earthquake, fire, flood, lightning strike etc force majeure of natural disasters.
- Any damages caused by negligence, inappropriate storing at high temperature and humidity environment or near harmful chemicals.

DMX512 Constant Current Decoder User Manual



(Please read through this manual carefully before use)

1. Brief Introduction

Welcome to use the DMX512 Constant Current Decoder which is developed only for constant current LED lamps. It adopted advanced micro-computer control technology to transfer standard DMX512/1990 signal to PWM signal. one output channel, the max output is marked beside the terminals. Please choose the correct current as per your lamp, 4096 Grey Scales. It can be used as DMX512 master or as DMX decoder to connect computerized digital output consol with analog silicon case and controls LED lamps of architecture and lighting.

2. Specifications

Model	1CH			
	DC12V-DC48V			
Input voltage				
Max load current	350mA	500mA	700mA	1050mA
Max output power	12V: 1-3pcs 1W LED	12V: 1-3pcs 2W LED	12V: 1-3pcs 3W LED	12V: 1-3pcs 5W LED
	24V: 3-6pcs 1W LED	24V: 3-6pcs 2W LED	24V: 3-6pcs 3W LED	24V: 3-6pcs 5W LED
	36V: 6-9pcs 1W LED	36V: 6-9pcs 2W LED	36V: 6-9pcs 3W LED	36V: 6-9pcs 5W LED
	48V: 9-13pcs 1W LED	48V: 9-13pcs 2W LED	48V: 9-13pcs 3W LED	48V: 9-13pcs 5W LED
Grey Scale	4096 levels			
Input Signal	DMX512/1990			
Output Signal	Constant Current PWM			
Decode Channel	1CH			
DMX512 socket	terminal block			
Dimension	L176×W46×H30(mm)			
Weight (G.W)	180g			

3. Basic Features

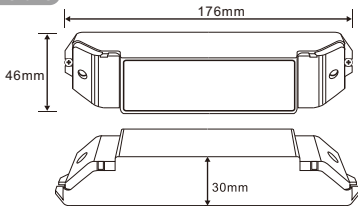
- Automatically adapt input voltage DC12V-48V.
- Input standard DMX512 signal; 3-digital-display shows DMX address code..
- 1 channels output; 4096 grey scales each; logarithmic dimming; lamplight soft& stable without strobe flash.
- DMX master mode, slave mode available.
- 30 changing modes and 10 speed scales in master mode .
- Indicator of the DMX512 signal receiving status.
- Power loss memory function.

4. Safety warnings

- To ensure your safety and product properly usage, please read the user manual carefully.
- To avoid installed the product in minefield, strong magnetic field and high voltage area.
- To ensure the wiring is correct and firm avoiding short circuit damages to components and cause fire.
- Please install the product in a well ventilated area to ensure appropriate temperature environment.
- The product must be worked with DC constant voltage power supply.

- Please check the consistence of input power with the product, if the output voltague of the power comply with that of the product.
- Connect the wire with the power on is forbidden. Ensure proper wiring first then check to ensure no short-circuit, then power on !
- Don't repair it by yourself whenever an error occur. Contact the supplier for any inquiry.

5. Dimensions



6. Operating instruction

Three touch buttons: M, +, -

M	change order in the 3 display tube
+	increase
-	decrease

Three-digital-display indicates the current setting value; different value indicates different operating status. Three-digital-display goes off without operation for 1 minutes, press any key to turn it on.

The decoder has an automatic key lock. If no settings are made to the decoder, the key lock function is activated after approximately 15 seconds automatically. Pressing M button for about 2 seconds to deactivated. Subsequently, the decoder can be set.

1. DMX Slave Mode: The value is: 001-512, such as: "001"



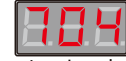
The decimal point of last digital of the display tube will twinkle regularly when receives DMX512 signal normally. When no signal is received, the decimal point does not twinkle, and showing current DMX address.

DMX master mode preset patterns list :

000	One channel 100% brightness	840-849	strobe with jumping from 15-100%
600-699	Dimming, 0%-99%	850-859	strobe with jumping from 20-100%
700-709	Fading from 0-100%	860-869	strobe with jumping from 30-100%
710-719	Fading from 1-100%	870-879	strobe with jumping from 40-100%
720-729	Fading from 5-100%	880-889	strobe with jumping from 50-100%

730-739	Fading from 10-100%	890-899	strobe with jumping from 60-100%
740-749	Fading from 15-100%	900-909	fade up from 0% to 100% then it jump to 0%.
750-759	Fading from 20-100%	910-919	fade up from 1% to 100% then it jump to 1%.
760-769	Fading from 30-100%	920-929	fade up from 5% to 100% then it jump to 5%.
770-779	Fading from 40-100%	930-939	fade up from 10% to 100% then it jump to 10%.
780-789	Fading from 50-100%	940-949	fade up from 15% to 100% then it jump to 15%.
790-799	Fading from 60-100%	950-959	fade up from 20% to 100% then it jump to 20%.
800-809	strobe with jumping from 0-100%	960-969	fade up from 30% to 100% then it jump to 30%.
810-819	strobe with jumping from 1-100%	970-979	fade up from 40% to 100% then it jump to 40%.
820-829	strobe with jumping from 5-100%	980-989	fade up from 50% to 100% then it jump to 50%.
830-839	strobe with jumping from 10-100%	990-999	fade up from 60% to 100% then it jump to 60%.

*700-999, First two digital indicate the modes, the third one shows the speed. 10 speed levels ,from 0-9 speed decreasing. Total: 30 modes, such as :



Mode Speed level 4

Speed for Program 700-799 and 900-999 (for one step and not for the whole program):
0 = 0.5 sec. | 1 = 1 sec. | 2 = 2 sec. | 3 = 5 sec. | 4 = 10 sec. | 5 = 15 sec. | 6 = 20 sec. | 7 = 30 sec. | 8 = 60 sec. | 9 = 90 sec.

Speed for Program 800-899 (for one step and not for the whole program):
0 = 0.02 sec. | 1 = 0.04 sec. | 2 = 0.1 sec. | 3 = 0.2 sec. | 4 = 0.5 sec. | 5 = 1 sec. | 6 = 2 sec. | 7 = 5 sec. | 8 = 10 sec. | 9 = 15 sec.

2. Wiring Indication

1) Wiring diagram of Master Mode: (Only one decoder is allowed to work as a master)

